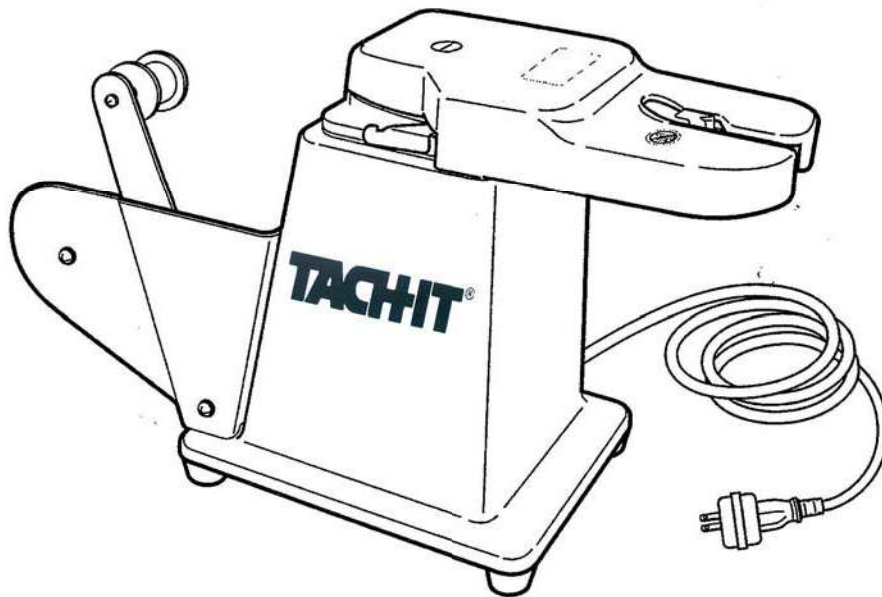


# TACH-IT® TWISTERS™

## TACH-IT MODEL #3567 SEMI-AUTOMATIC TWIST TIE MACHINE



## OPERATION MANUAL AND PARTS LIST

**Ben Clements and Sons, Inc. / Clements Industries, Inc.**  
50 Ruta Court, South Hackensack, New Jersey 07606 USA. 201-440-5500, 1-800-222-5540, fax 201-440-1455

Tach-It (UK) England, Clements Industries Japan, Clements Industries Inc. Korea  
Tach-It and Twisters are registered, copyrighted or trademarks of Clements Industries, Inc.  
© Ben Clements & Sons, Inc. and Clements Industries, Inc.



## **TABLE OF CONTENTS:**

SECTION 1 CAUTION	PAGE 3
SECTION 2 PARTS IDENTIFICATION	PAGE 4
SECTION 3 MACHINE DIMENSIONS AND SPECIFICATIONS	PAGE 5
SECTION 4 UNPACKING AND OPERATING ENVIRONMENTS	PAGE 6
SECTION 5 SETUP OF MACHINE	PAGE 7
SECTION 6 LOADING THE TWIST TIE RIBBON	PAGE 8
SECTION 7 OPERATING THE MACHINE	PAGE 9
SECTION 8 REPLACING THE TWIST TIE SPOOL	PAGE 10
SECTION 9 TROUBLESHOOTING	PAGE 11
SECTION 10 REMOVING AND INSTALLING TOP COVER	PAGE 12
PARTS IDENTIFICATION – FIGURE A	PAGE 13
PARTS LIST – FIGURE A	PAGE 14
PARTS IDENTIFICATION – FIGURE B	PAGE 15
PARTS LIST – FIGURE B	PAGE 16
PARTS IDENTIFICATION – FIGURE C	PAGE 17
PARTS LIST – FIGURE C	PAGE 18
PARTS IDENTIFICATION – FIGURE D	PAGE 19
PARTS LIST – FIGURE D	PAGE 20
PARTS IDENTIFICATION – FIGURE E	PAGE 21
PARTS LIST – FIGURE E	PAGE 22
WARRANTY AND GENERAL CONDITIONS	PAGE 23



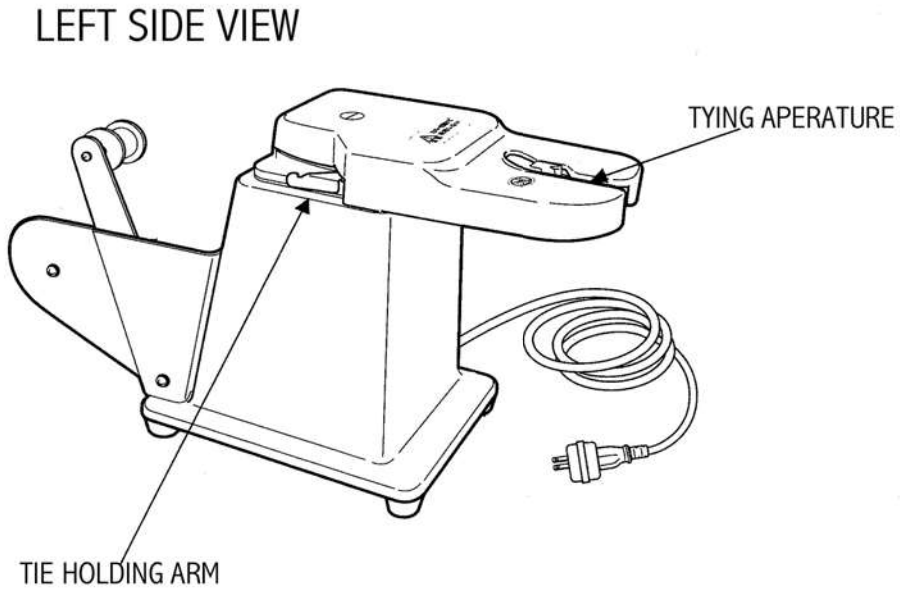
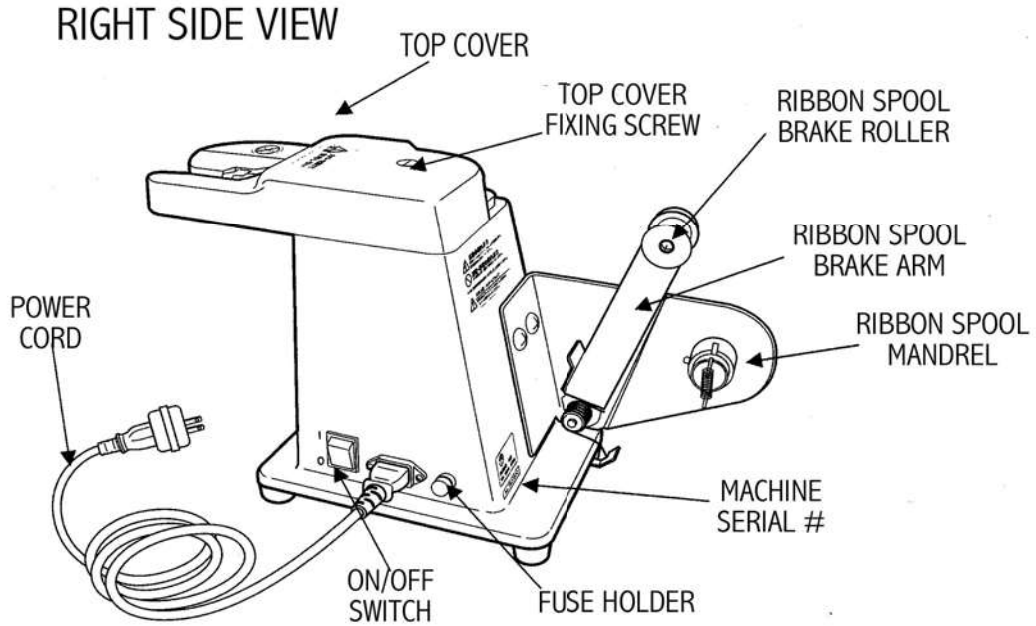
## **SECTION 1 CAUTION:**

- 1) Before operating the machine, read the complete operator manual.
- 2) Never have the power on this machine plugged into the power supply when any of the covers of the machine have been removed.
- 3) Install and operate this machine only on a flat, level and dry surface.
- 4) Use only the manufacturers specified electrical power input with this machine.
- 5) Always keep hands, clothing, jewelry, and hair away from all moving parts of this machine.
- 6) Do not operate this machine with any of the protective covers removed or opened.
- 7) Do not operate this machine without the twist tie material in its proper feeding position.
- 8) Keep this machine clean and dry at all times.
- 9) Never insert anything besides the product or bag designated to be tied into the machine as this may cause injury to the operator and the machine.
- 10) Do not use the machine in an area where flammables or explosive materials or fumes are present.
- 11) Any modification to the machine makes the warranty null and void.
- 12) For best results, use only twist tie ribbons meeting Tach-It's specifications and standards. Any damaged caused to the machine by not using a twist tie ribbon meeting the manufacturer's specifications and standards makes the warranty null and void. Samples of twist tie ribbons can be sent to the manufacturer for approval.
- 13) Service on this machine should only be performed by factory trained authorized service personnel.
- 14) Never use this machine for other than its intended applications. Use of the machine on unintended applications can cause harm to the operator, the machine, and the product. Please contact the manufacturer if there are any questions to whether this machine can be used for a particular application.

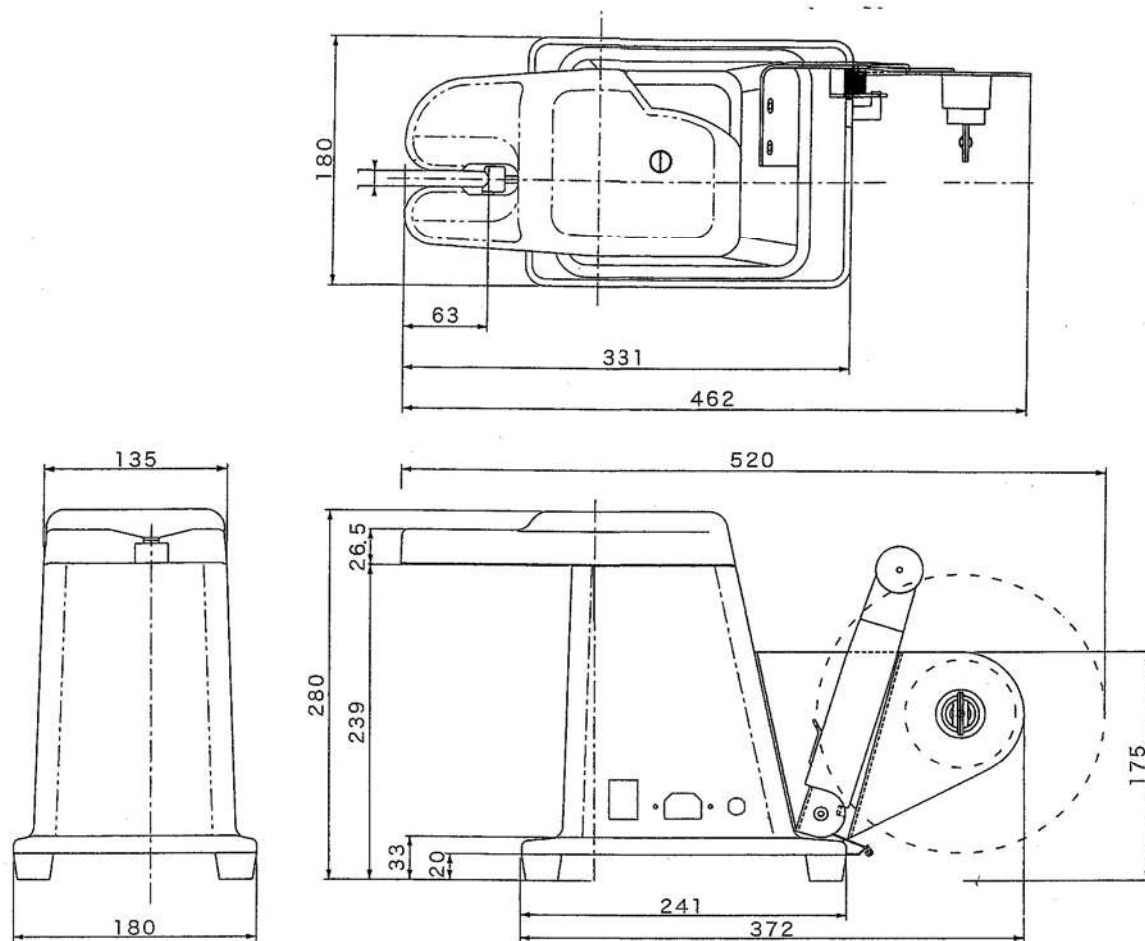




## SECTION 2 PARTS IDENTIFICATION:



## SECTION 3 MACHINE DIMENSIONS AND SPECIFICATIONS:



Unit of Measure = mm (millimeter) (25.4 mm = 1 inch)

Scale 1/5

Model #3567 Tying Capacity

Feeding Length

Usable Twist Ties

0 to 1/2" in diameter.

3 1/4" inches per tie (length may vary depending on tying material)

5/32" wide plastic/plastic twist tie ribbon

5/32" wide paper/plastic twist tie ribbon

5/32" wide paper/paper twist tie ribbon

5/32" wide Tach-It Polycore non-metallic twist tie ribbon

5/32" wide metallic twist tie ribbons

All ribbons used on Model #3567 must meet Tach-It's specifications or all warranties are null and void. Contact Tach-It for specifications.

110 volt 50/60 Hz. 55/64 watts (220 volt available)

Power

Weight

Speed

14 lbs

50 Cycles per minute

## **SECTION 4 UNPACKING AND OPERATING ENVIRONMENTS:**

### **UNPACKING INSTRUCTIONS:**

- 1) Be careful when opening boxes with sharp instrument or knives.
- 2) Be sure to remove all protective packaging including plastic bags from the machine and accessories.
- 3) Make sure that all packaging materials are saved in the event the machine must be repacked for shipping. If packaging materials are not being saved, please make sure that they are disposed of properly.
- 4) Be careful when lifting machine out of carton as it weighs about 14 lbs.
- 5) Never insert your hands inside the machine.
- 6) Be careful when removing protective packaging that all is removed and that nothing has been damaged in transportation.

### **CONTENTS OF CARTON:**

- 1) Machine – 1 unit
- 2) Power Supply Cord. Please check that it is correct for electrical supply of the country using the machine.
- 3) Operating Manual and Part Identification.

If any of the above is missing from the carton, please contact the company that the machine was purchased from and they will arrange to have the missing component forwarded. At that time, please advise serial number of machine.

### **OPERATING THIS MACHINE IN SPECIAL ENVIRONMENTAL CONDITIONS:**

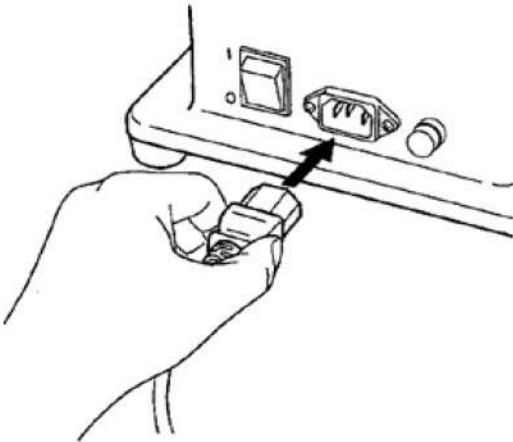
This machine is designed for use in normal environmental conditions. If you will be using the machine in 1 of the following conditions, please note special instructions below.

- 1) For use in environment with excessive powder or dust.
  - a) Do not lubricate machine as the lubricant will attract the powder or dust and make it very thick and sticky.
  - b) Clean away powder or dust as needed with compressed air so that it can not build up in the moving parts.
- 2) If the machine is being used in a very humid area
  - a) Lubricate and grease components as necessary to avoid any build-up or oxidation.
  - b) Remove any water or drops as they collect on machine so they cannot harm compon

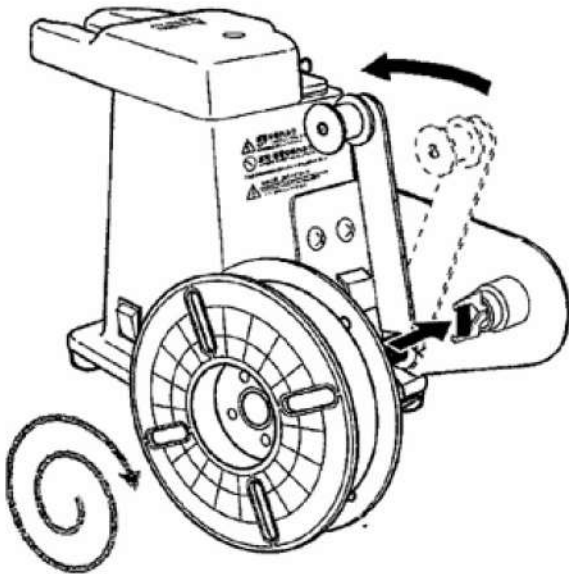




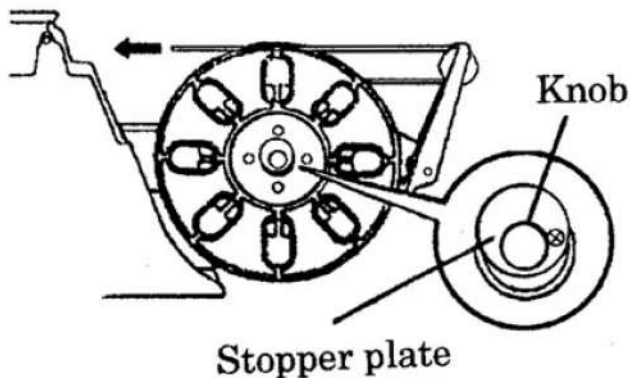
## SECTION 5 SETUP OF MACHINE:



ATTACH THE POWER CORD TO THE IEC OUTLET LOCATED ON THE RIGHT SIDE OF THE MACHINE. DO NOT PLUG POWER CORD INTO POWER OUTLET YET.

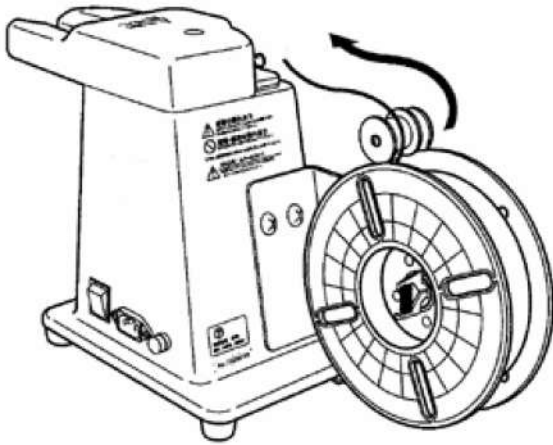


LOCATE AND FIND THE RIBBON SPOOL BRAKE ARM. PUSH THE RIBBON SPOOL BRAKE ARM TOWARDS THE FRONT OF THE MACHINE AND PUT THE SPOOL ONTO THE RIBBON SPOOL MANDREL SO THAT WHEN PULLED THE LEADING END OF THE RIBBON IS GOING TOWARDS THE RIBBON SPOOL BRAKE ROLLER. SEE DIAGRAM.

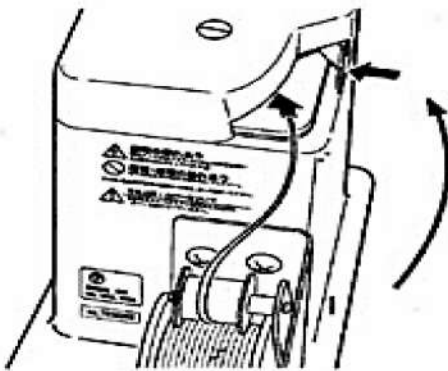


TO SECURE THE RIBBON SPOOL ONTO THE RIBBON SPOOL MANDREL SLIDE THE STOPPER PLATE UPWARD AS IN THE FIGURE TO THE LEFT, AND TIGHTEN THE KNOB SECURING THE SPOOL.

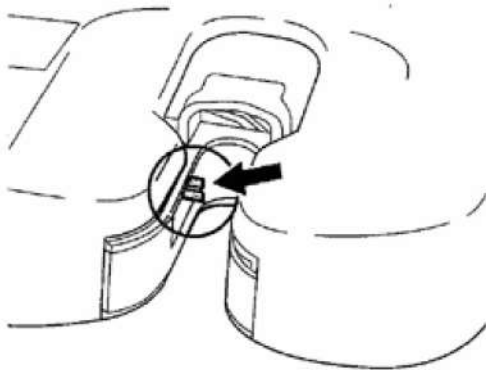
## **SECTION 6 LOADING THE TWIST TIE RIBBON:**



UNWIND THE RIBBON FROM THE SPOOL; BRING IT AROUND THE RIBBON SPOOL BRAKE ROLLER AND TOWARDS THE FRONT OF THE MACHINE. **PLEASE NOTE THAT WHEN BRINGING THE RIBBON AROUND THE RIBBON SPOOL BRAKE ROLLER THAT IT IS IN DIRECT CONTACT WITH THE ROLLER AND UNDER THE METAL BAR THAT GOES ACROSS THE TOP OF THE ROLLER.**



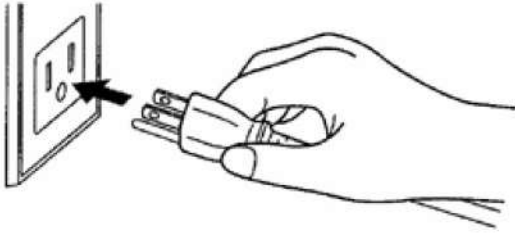
WHILE PRESSING THE TIE HOLDING ARM, INSERT THE TIP OF THE TWIST TIE RIBBON INTO THE MACHINE. **PLEASE NOTE IF USING POLYCORE NON-METALLIC TWIST TIE RIBBON ON THE MACHINE, WHEN FEEDING THE RIBBON IT IS IMPORTANT THAT THE CURL OF THE RIBBON GO IN THE DIRECTION SHOWN IN THE DIAGRAM TO THE LEFT. STANDARD TWIST TIES WITH METAL WIRE DO NOT HAVE A CURLING TENDENCY AND CAN BE FED IN ANY DIRECTION.**



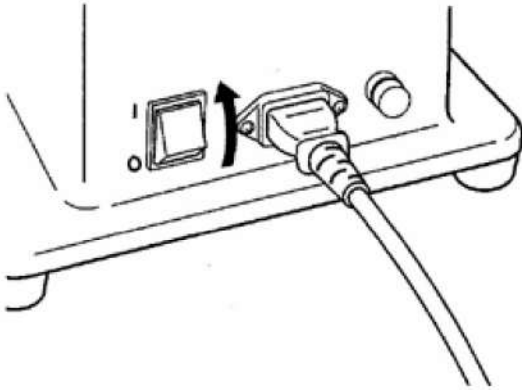
WHILE LOOKING INTO THE TYING APERTURE AND HOLDING THE TIE HOLDING ARM, CONTINUE PUSHING THE TWIST TIE RIBBON UNTIL IT APPEARS ABOUT 1/8" INTO THE TYING APERTURE. MACHINE IS NOW LOADED.



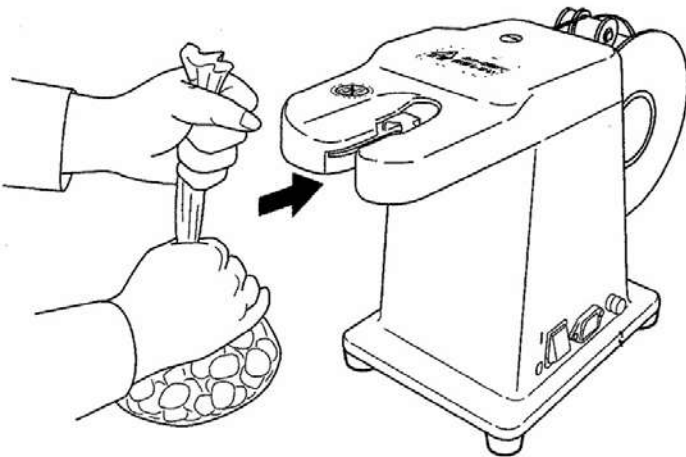
## **SECTION 7 OPERATING MACHINE:**



MAKING SURE THE ON/OFF SWITCH IS IN THE OFF POSITION, PLUG MACHINE INTO POWER OUTLET CHECKING THAT OUTLET IS OF THE CORRECT VOLTAGE.



TURN THE ON/OFF SWITCH TO THE ON POSITION. THE SWITCH WILL ILLUMINATE IN THE ON POSITION.

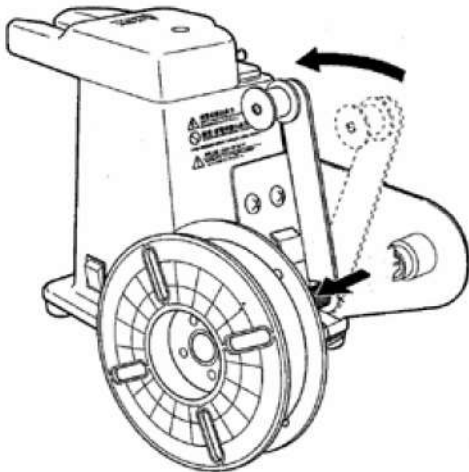


SQUEEZE THE TOP OF THE BAG OR BUNDLE TO BE TIED AND INSERT IT INTO THE TYING APERTURE OF THE MACHINE. HESITATE WHILE THE MACHINE COMPLETES THE TIE AROUND THE PRODUCT. UPON COMPLETION OF THE CYCLE, REMOVE THE TIED AND PRODUCT AND THE MACHINE IS READY FOR THE NEXT CYCLE.

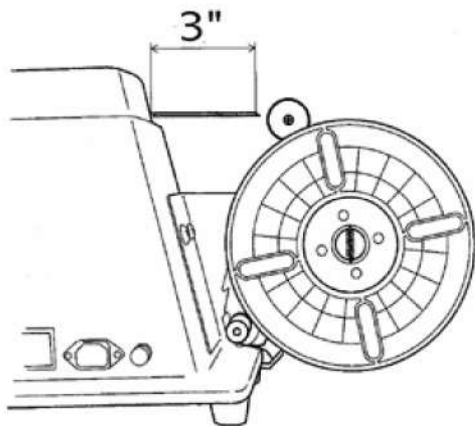
## **SECTION 8 REPLACING TWIST TIE RIBBON SPOOL:**



REMOVE THE TWIST TIE RIBBON FROM THE MACHINE BY PRESSING THE TIE HOLDING ARM AND PULLING BACK ON THE MATERIAL.



REMOVE THE ROLL OF TWIST TIE FROM THE RIBBON SPOOL MANDREL BY LOOSENING THE KNOB AND MOVING THE STOPPER PLATE TO THE CENTER OF THE TWIST TIE RIBBON SPOOL. TIGHTEN THE KNOB SO THE STOPPER PLATE IS EVEN WITH THE RIBBON SPOOL MANDREL. TO INSTALL A NEW SPOOL OF TWIST TIE RIBBON ON THE MACHINE FOLLOW INSTRUCTIONS IN SECTION 5.



WHEN FINISHING A SPOOL OF TWIST TIE RIBBON IT IS IMPORTANT THAT APPROXIMATELY 3" OF RIBBON REMAINS OUTSIDE THE MACHINE AND IS REMOVED. DO NOT FEED THIS INTO THE MACHINE AS IT MAY CAUSE JAMMING.



## SECTION 9 TROUBLESHOOTING:

**BEFORE DOING ANY TECHNICAL OR REPAIR WORK ON THE TACH-IT MODEL #3567, PLEASE MAKE SURE THAT THE MACHINE HAS BEEN DISCONNECTED FROM THE POWER OUTLET AND THAT ALL POWER HAS BEEN REMOVED FROM THE MACHINE.**

### IF TWIST TIE RIBBON SHOULD BECOME WRAPPED AROUND TWIST HEAD:

- 1) LOCATE A PAIR OF LONG NOSE PLIERS.
- 2) CAREFULLY UNWIND AND REMOVE THE CUT PIECE OF TWIST TIE FROM AROUND THE TWIST HEAD. IF THE TIE WAS NOT CUT, CUT THE TIE AND THEN REMOVE. **ALWAYS BE CAREFUL TO NEVER BEND THE TWIST HEAD AS THIS WILL AFFECT THE PERFORMANCE OF THE MACHINE.**
- 3) RELOAD AND TRY MACHINE. IF A PROBLEM STILL EXISTS CONTACT YOUR AUTHORIZED TACH-IT SERVICE TECHNICIAN.

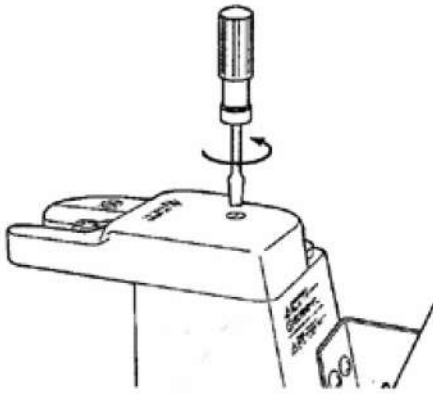
PROBLEM	CAUSE	REMEDY
MACHINE DOES NOT OPERATE EVEN THOUGH SWITCH IS IN ON POSITION (SWITCH IS NOT LIT)	<ul style="list-style-type: none"> <li>• POWER SUPPLY CORD IS NOT PLUGGED IN.</li> <li>• CHECK FUSE</li> </ul>	<ul style="list-style-type: none"> <li>• PLUG MACHINE INTO POWER OUTLET.</li> <li>• REPLACE FUSE IF NEEDED</li> </ul>
MACHINE DOES NOT OPERATE EVEN THOUGH SWITCH IS IN ON POSITION (SWITCH IS LIT)	<ul style="list-style-type: none"> <li>• TOP COVER FIXING SCREW MAY BE LOOSE SO THAT SAFETY SWITCH IS NOT BEING MET.</li> </ul>	<ul style="list-style-type: none"> <li>• TIGHTEN TOP COVER FIXING SCREW</li> </ul>
MACHINE IS OPERATING NORMALLY EXCEPT IT DOES NOT TIE THE ITEM	<ul style="list-style-type: none"> <li>• MAKE SURE RIBBON IS FED CORRECTLY AND IN THE RIGHT DIRECTION.</li> </ul>	<ul style="list-style-type: none"> <li>• IF NECESSARY RETHREAD THE MACHINE MAKING SURE RIBBON IS FEEDING PROPERLY.</li> </ul>
DURING LOADING, TWIST TIE DOES NOT APPEAR IN THE TYING APERTURE OF THE MACHINE.	<ul style="list-style-type: none"> <li>• TWIST TIE RIBBON MAY NOT BE FOLLOWING THE RIGHT PATH.</li> </ul>	<ul style="list-style-type: none"> <li>• REMOVE ANY TWIST TIE RIBBON FROM THE MACHINE AND RETHREAD MACHINE.</li> </ul>
MACHINE DOES NOT CYCLE PROPERLY OR STOPS IN MID CYCLE	<ul style="list-style-type: none"> <li>• CHECK IF TWIST TIE RIBBON IS JAMMED</li> <li>• CHECK TOP COVER FIXING SCREW</li> </ul>	<ul style="list-style-type: none"> <li>• OPEN TOP COVER AND REMOVED JAMMED TWIST TIE RIBBON.</li> <li>• TIGHTEN TOP COVER FIXING SCREW IF NECESSARY.</li> </ul>

**IF ANY OF THE ABOVE DOES NOT SOLVE THE PROBLEMS. PLEASE CONTACT AUTHORIZED TACH-IT SERVICE TECHNICIAN FOR ASSISTANCE.**

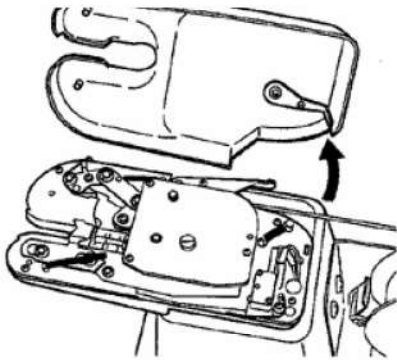




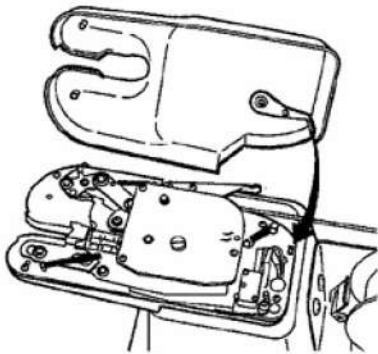
**SECTION 10 REMOVING AND INSTALLING TOP COVER:**  
NEVER OPEN TOP COVER WHILE MACHINE IS PLUGGED INTO POWER OUTLET.



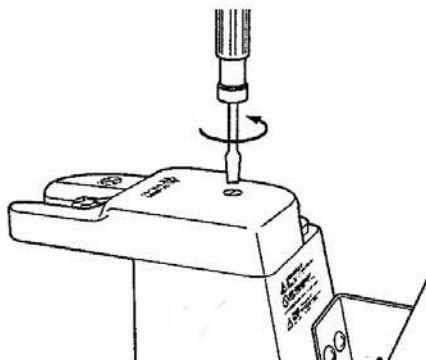
LOOSEN THE TOP COVER FIXING SCREW BY USING A SCREWDRIVER AND TURNING SCREW IN A COUNTER-CLOCKWISE DIRECTION.



LIFT THE TOP COVER FROM THE MACHINE.



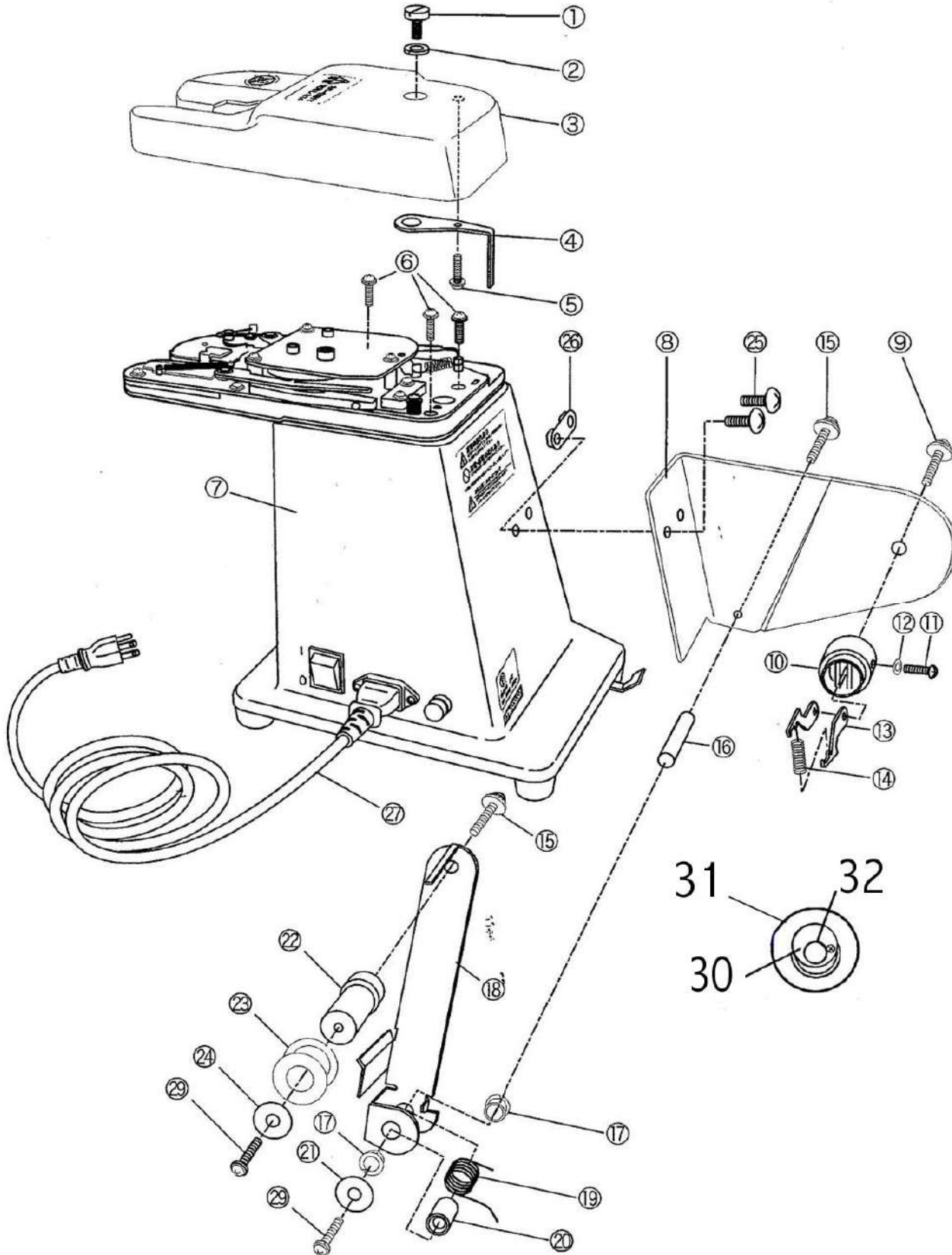
WHEN REPLACING COVER, PUT BACK ONTO THE TOP OF THE MACHINE SLOWLY MAKING SURE THAT THE PIN IS GOING INTO THE HOLE FOR THE SAFETY SWITCH. SEE FIGURE TO THE LEFT.



WHILE HOLDING THE TOP COVER IN PLACE, TIGHTEN THE TOP COVER FIXING SCREW.

# PARTS IDENTIFICATION - FIGURE A:

WHEN ORDERING PARTS FROM THIS PAGE, ADD THE SUFFIX V10A-(NUMBER BELOW) TO SPECIFY PART.



## PARTS LIST – FIGURE A:

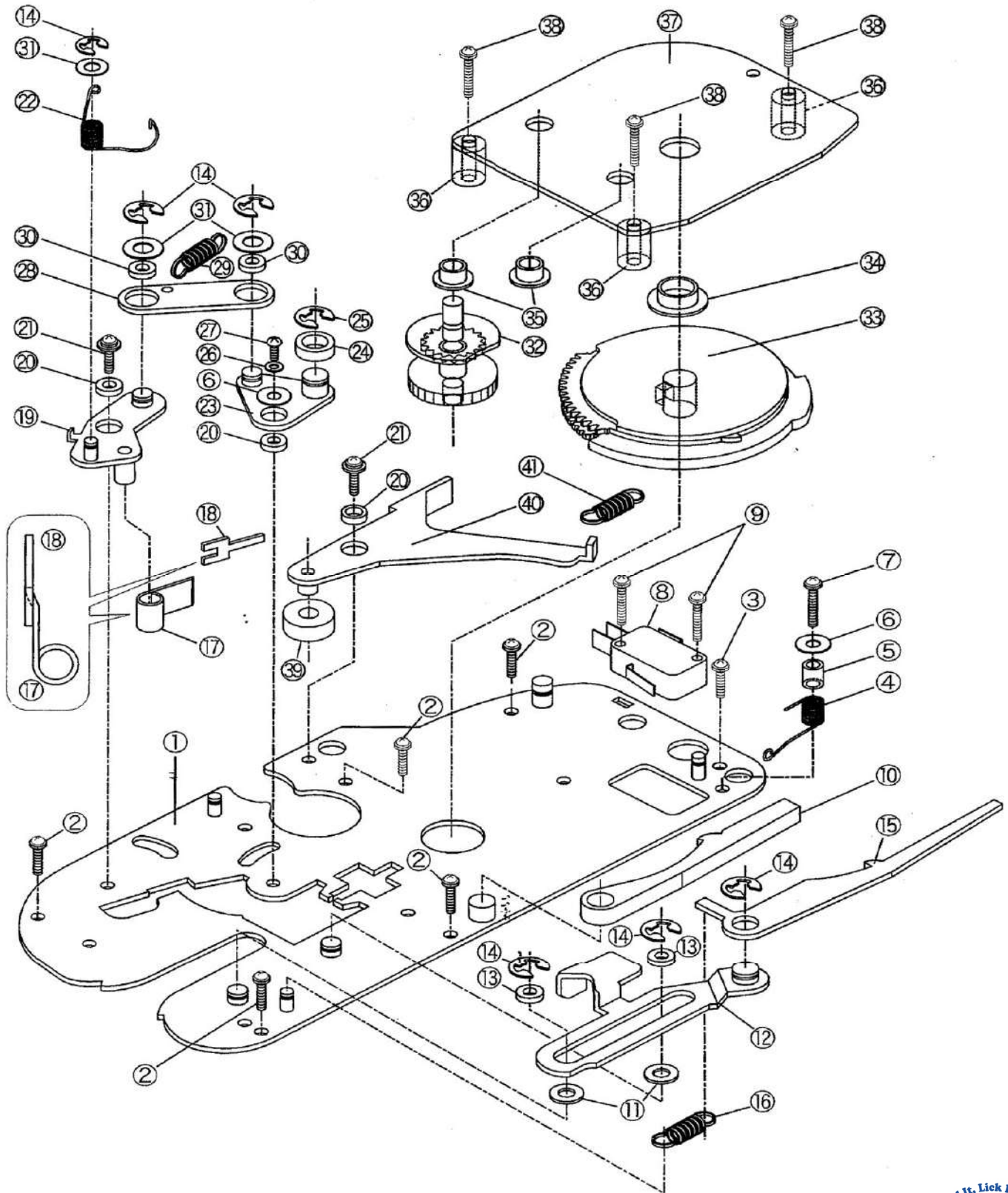
PART NUMBER	ORDERING NUMBER	DESCRIPTION	QTY PER MACHINE
1	V10A-1	TOP COVER FIXING SCREW M5 X 10	1
2	V10A-2	SPLIT WASHER M5	1
3	V10A-3	UPPER COVER	1
4	V10A-4	SAFETY LEVER	1
5	V10A-5	SCREW M4 X 6	1
6	V10A-6	SCREW M4 X 6	4
7	V10A-7	MOTOR BOX	1
8	V10A-8	SPOOL BRACKET	1
9	V10A-9	SCREW M5 X 8	1
10	V10A-10*	SPOOL SHAFT FOR 3567	1
11	V10A-11*	SCREW M4 X 18	1
12	V10A-12*	SPLIT WASHER M4	1
13	V10A-13*	SPOOL LOCK	2
14	V10A-14*	SPOOL LOCK SPRING	1
15	V10A-15	SCREW M4 X 10	3
16	V10A-16	SHAFT	1
17	V10A-17	BUSHING WITH COLLAR	2
18	V10A-18	BRAKE ARM	1
19	V10A-19	SPRING FOR BRAKE ARM	1
20	V10A-20	COLLAR	1
21	V10A-21	FLAT WASHER	1
22	V10A-22	TIE FEEDING ROLLER SHAFT	1
23	V10A-23	TIE FEEDING ROLLER	1
24	V10A-24	FLAT WASHER	1
25	V10A-25	SCREW M8 X 15	2
26	V10A-26	NUT FOR SPOOL BRACKET	1
27	V10A-27	POWER SUPPLY CORD	1
29	V10A-29	SCREW M4 X 8	2
30	V3501-29	SPINDLE	1
31	V3501-30	STOPPER PLATE	1
32	V3501-31	KNOB M4	1

\* = MACHINES SOLD IN THE UNITED STATES MAY HAVE A SPOOL HOLDING ASSEMBLY SIMILAR TO PARTS 30-32 ON FIGURE A. PLEASE VERIFY THE TYPE OF SPOOL HOLDING ASSEMBLY ON YOUR MACHINE BEFORE ORDERING PARTS.



## **PARTS IDENTIFICATION - FIGURE B:**

WHEN ORDERING PARTS FROM THIS PAGE, ADD THE SUFFIX V10B-(NUMBER BELOW) TO SPECIFY PART.



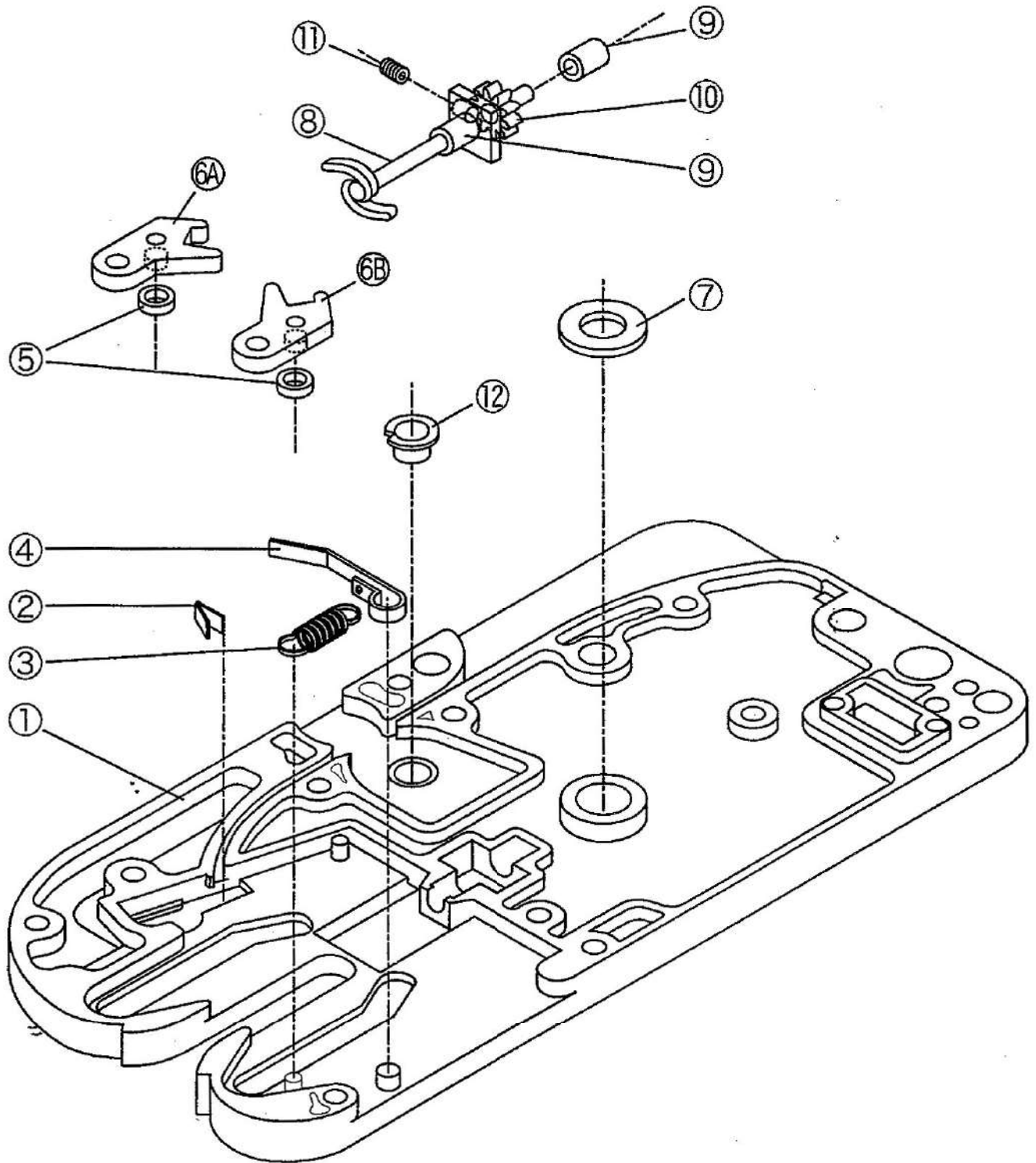
## **PARTS LIST – FIGURE B:**

<b>PART NUMBER</b>	<b>ORDERING NUMBER</b>	<b>DESCRIPTION</b>	<b>QTY PER MACHINE</b>
1	V10B-1	UPPER PLATE	1
2	V10B-2	SCREW M4 X 7	5
3	V10B-3	SCREW M4 X 8 FOR GROUND	1
4	V10B-4	SWITCH LOCK LEVER SPRING	1
5	V10B-5	SPRING SHAFT	1
6	V10B-6	FLAT WASHER M4	2
7	V10B-7	SCREW M3 X 14	1
8	V10B-8	MICROSWITCH	1
8B	B10B-8B	MICROSWITCH INSULATOR	1
9	V10B-9	SCREW M3 X 14	21
10	V10B-10	SWITCH LOCK LEVER	1
11	V10B-11	FLAT WASHER	2
12	V10B-12	SWITCH LEVER	1
13	V10B-13	SWITCH LEVER ROLLER	2
14	V10B-14	E-RING ETW-5	6
15	V10B-15	SWITCHING ARM	1
16	V10B-16	SWITCH LEVER SPRING	1
17	V10B-17	MOVABLE BLADE	1
18	V10B-18	FIXED BLADE	1
19	V10B-19	CUTTER ARM	1
20	V10B-20	ROLLER	3
21	V10B-21	SCREW M4 X 10	2
22	V10B-22	MOVABLE BLADE HOLDING SPRING	1
23	V10B-23	CUTTER MOTION ARM	1
24	V10B-24	CUTTER MOTION ROLLER	1
25	V10B-25	E-RING ETW-6	1
26	V10B-26	WASHER	1
27	V10B-27	SCREW M4 X 7	1
28	V10B-28	CUTTER LINK	1
29	V10B-29	CUTTER LINK SPRING	1
30	V10B-30	CUTTER LINK ROLLER	2
31	V10B-31	FLAT WASHER	3
32	V10B-32	FEEDING ROLLER	1
33	V10B-33	SEGMENT GEAR	1
34	V10B-34	BUSHING WITH COLLAR	1
35	V10B-35	BUSHING WITH COLLAR	2
36	V10B-36	UPPER HOLDING PLATE SPACER COLLAR	3
37	V10B-37	UPPER HOLDING PLATE	1
38	V10B-38	SCREW M4 X 22	3
39	V10B-39	TIE FEEDING ROLLER WITH BUSHING	1
40	V10B-40	TIE FEEDING ROLLER ARM	1
41	V10B-41	ARM SPRING	1



## **PARTS IDENTIFICATION - FIGURE C:**

WHEN ORDERING PARTS FROM THIS PAGE, ADD THE SUFFIX V10C-(NUMBER BELOW) TO SPECIFY PART.





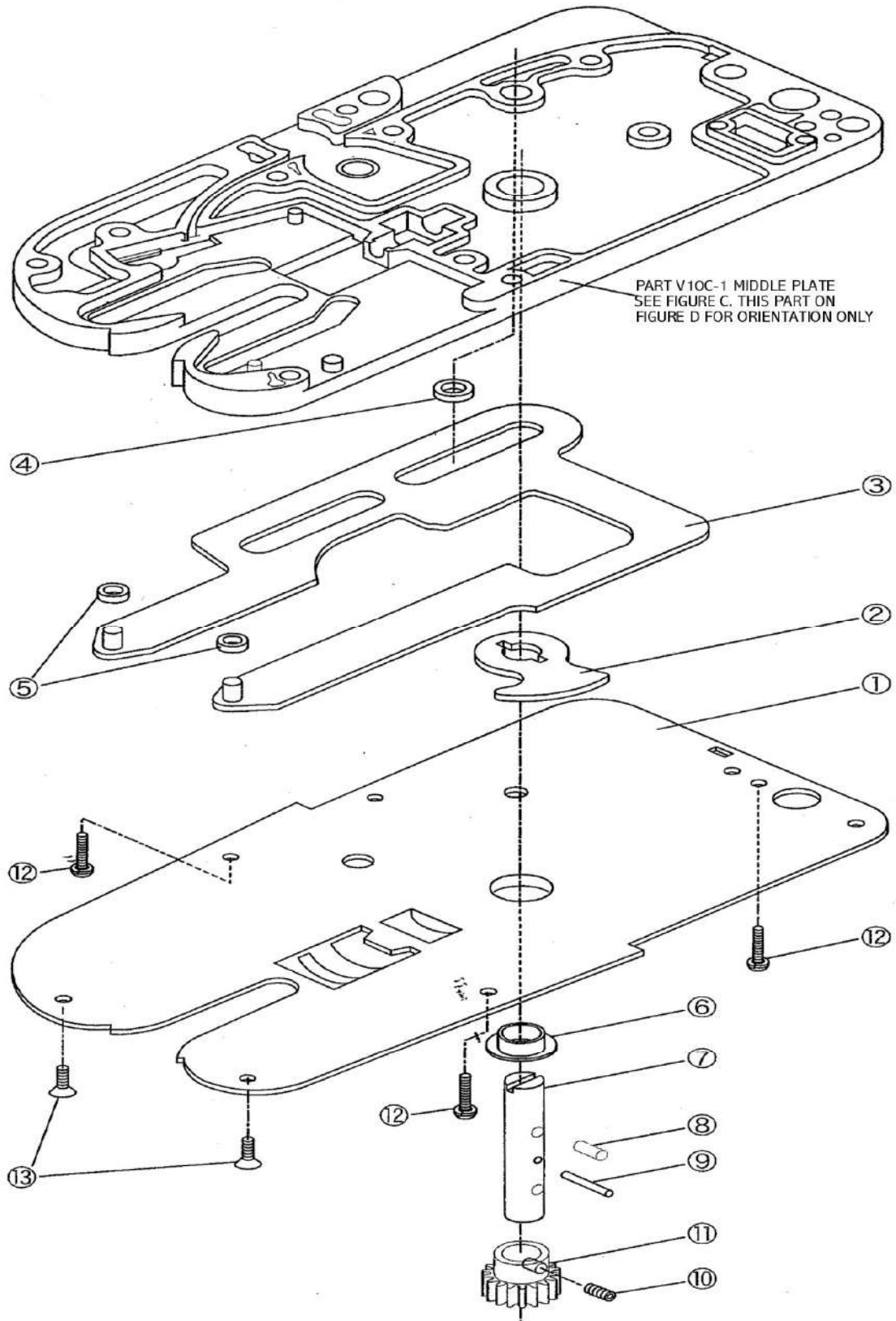
## PARTS LIST – FIGURE C:

<b>PART NUMBER</b>	<b>ORDERING NUMBER</b>	<b>DESCRIPTION</b>	<b>QTY PER MACHINE</b>
1	V10C-1	MIDDLE PLATE	1
2	V10C-2	TIE GUIDING PLATE	1
3	V10C-3	NEEDLE GUARD ARM SPRING	1
4	V10C-4	NEEDLE GUARD ARM	1
5	V10C-5	NEEDLE MOTION ROLLER	2
6A	V10C-6A	NEEDLE LEFT	1
6B	V10C-6B	NEEDLE RIGHT	1
7	V10C-7	SPACER	1
8	V10C-8	TWISTER ASSEMBLY	1
9	V10C-9	BUSHING	2
10	V10C-10	TWISTER GEAR	1
11	V10C-11	FIXING SCREW M4 X 5	1
12	V10C-12	BUSHING WITH COLLAR	1



## **PARTS IDENTIFICATION - FIGURE D:**

WHEN ORDERING PARTS FROM THIS PAGE, ADD THE SUFFIX V10D-(NUMBER BELOW) TO SPECIFY PART.



## PARTS LIST – FIGURE D:

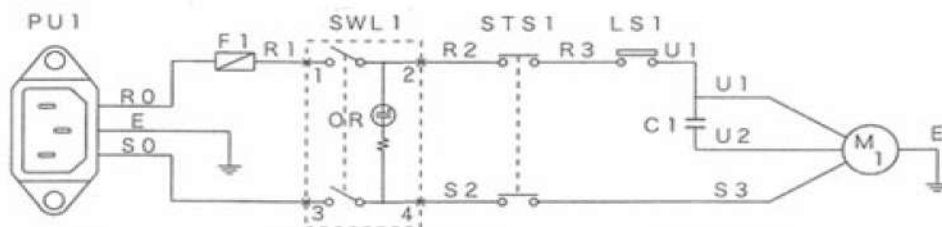
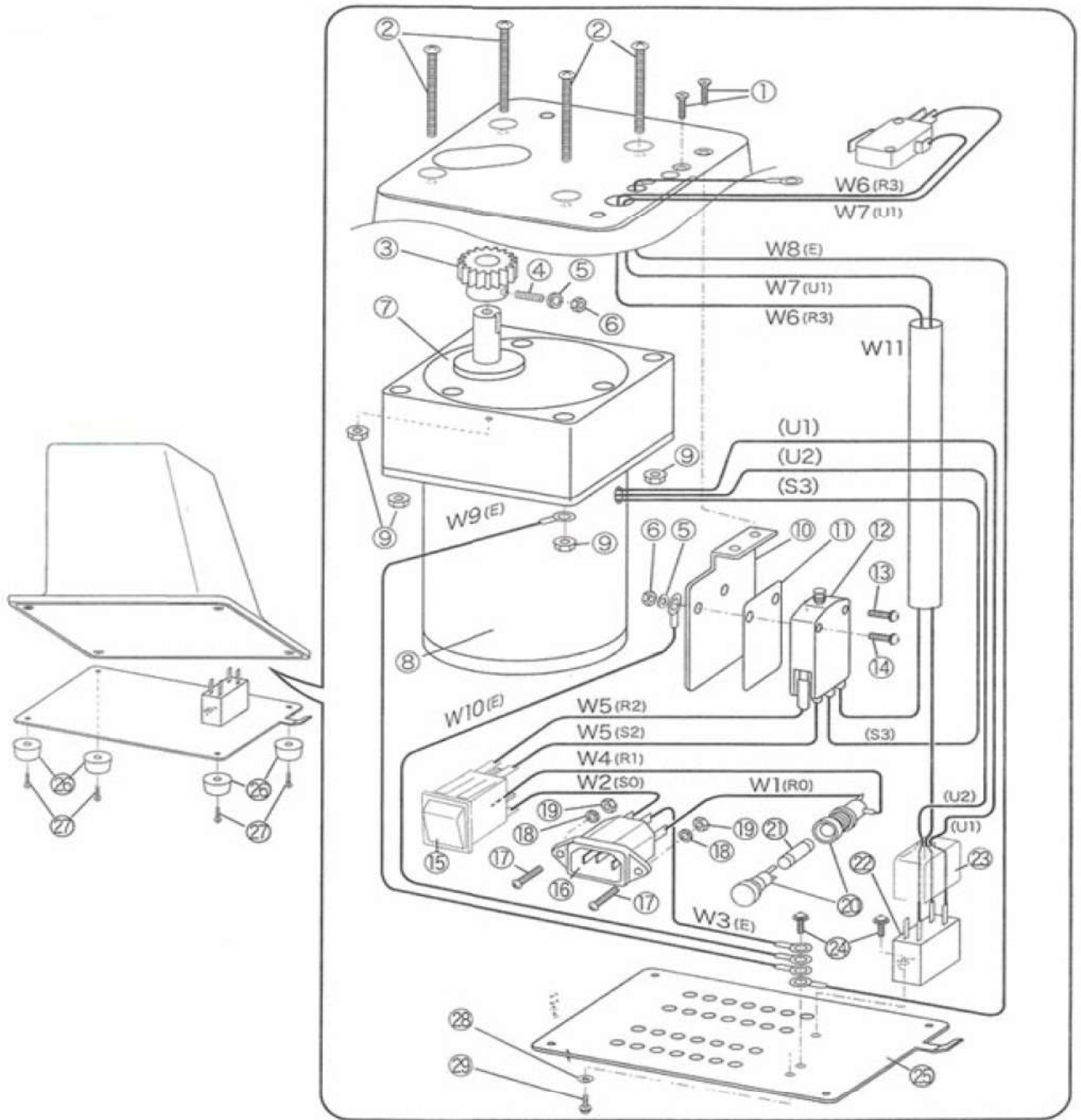
<b>PART NUMBER</b>	<b>ORDERING NUMBER</b>	<b>DESCRIPTION</b>	<b>QTY PER MACHINE</b>
1	V10D-1	BOTTOM PLATE	1
2	V10D-2	NEEDLE CAM	1
3	V10D-3	NEEDLE ARM	1
4	V10D-4	NEEDLE FIXING ROLLER	1
5	V10D-5	NEEDLE GUIDE ROLLER	2
6	V10D-6	BUSHING WITH COLLAR	1
7	V10D-7	MAIN SHAFT	1
8	V10D-8	SEGMENT GEAR PIN	1
9	V10D-9	NEEDLE CAM PIN	1
10	V10D-10	FIXING BOLT M4 X 10	1
11	V10D-11	MAIN SHAFT GEAR 20T	1
12	V10D-12	SCREW M4 X 8	3
13	V10D-13	SCREW M4 X 7	2





## PARTS IDENTIFICATION - FIGURE E:

WHEN ORDERING PARTS FROM THIS PAGE, ADD THE SUFFIX V10E-(NUMBER BELOW) TO SPECIFY PART.



## PARTS LIST – FIGURE E:

PART NUMBER	ORDERING NUMBER	DESCRIPTION	QTY PER MACHINE
1	V10E-1	SCREW M4 X 12	2
2	V10E-2	SCREW M5 X 80	4
3	V10E-3	MAIN SHAFT GEAR 20T	1
4	V10E-4	FIXING BOLT M4 X 10	1
5	V10E-5	WASHER	2
6	V10E-6	NUT M4	2
7	V10E-7	GEAR BOX	1
8	V10E-8	REVERSIBLE MOTOR	1
9	V10E-9	NUT M5	4
10	V10E-10	SAFETY SWITCH BRACKET	1
11	V10E-11	SAFETY SWITCH INSULATOR	1
12	V10E-12	SAFETY SWITCH	1
13	V10E-13	SCREW M4 X 18	1
14	V10E-14	SCREW M4 X 25	1
15	V10E-15	ROCKER SWITCH WITH LAMP INDICATOR	1
16	V10E-16	IEC POWER CORD INPUT MOLDING	1
17	V10E-17	SCREW M3 X 12	2
18	V10E-18	WASHER	2
19	V10E-19	NUT M3	2
20	V10E-20	FUSE HOLDER	1
21	V10E-21	FUSE 2 AMP	1
22	V10E-22	CONDENSER	1
23	V10E-23	CONDENSER CAP	1
24	V10E-24	SCREW M4 X 10	2
25	V10E-25	BOTTOM BOX COVER	1
26	V10E-26	RUBBER FEET	4
27	V10E-27	SCREW M4 X 10	4
28	V10E-28	WASHER FOR GROUND	1
29	V10E-29	SCREW M4 X 8 FOR GROUND	1
W1	V10E-W1	WIRE: PLUG TO FUSE RO	1
W2	V10E-W2	WIRE: PLUG TO MAIN SWITCH SO	1
W3	V10E-W3	WIRE: PLUG TO GROUND E	1
W4	V10E-W4	WIRE: FUSE TO MAIN SWITCH R1	1
W5	V10E-W5	WIRE: MAIN SWITCH TO SAFETY SWITCH R2, S2	1 EACH
W6	V10E-W6	WIRE: SAFETY SWITCH TO MICRO SWITCH R3	1
W7	V10E-W7	WIRE: MICRO SWITCH TO CONDENSER U1	1
W8	V10E-W8	WIRE: MICRO SWITCH TO GROUND E	1
W9	V10E-W9	WIRE: GEAR BOX TO GROUND E	1
W10	V10E-W10	WIRE: SAFETY SWITCH BRACKET TO GROUND E	1
W11	V10E-W11	INSULATING TUBE	1



## **WARRANTY AND GENERAL CONDITIONS:**

THE WARRANTOR, BEN CLEMENTS AND SONS, INC. AND CLEMENTS INDUSTRIES, INC. WARRANTS TO THE ORIGINAL PURCHASER-USER, THE TACH-IT MODEL #3567 TWIST TIE MACHINE TO BE FREE FROM DEFECTS IN FACTORY MATERIALS FOR THE PERIOD OF 6 MONTHS FROM THE DATE OF ORIGINAL PURCHASE OF THE MACHINE. THE WARRANTOR AGREES TO SUPPLY AT ITS OPTION SIMILAR PART OR PARTS OF SAID UNIT PROVED TO THE SATISFACTION OF THE WARRANTOR TO BE DEFECTIVE AT THE TIME THE MACHINE WAS SOLD. ANY REPLACEMENTS UNDER THIS 6 MONTH WARRANTY WILL BE WITHOUT COST FOR PARTS TO SAID ORIGINAL PURCHASER-USER, EXCEPT OF TRANSPORTATION AND LABOR CHARGES. BEFORE WARRANTOR SHALL SUPPLY ANY PART, THE PUCHASER-USER MUST SEND THE ALLEGEDLY DEFECTIVE PART OR PARTS TO WARRANTOR'S DESIGNATED FACTORY FREIGHT PREPAID AND SAID PART MUST BE PROVED DEFECTIVE TO WARRANTORS REASONABLE SATISFACTION. THE WARRANTOR SHALL NOT BE RESPONSIBLE FOR ANY EXPENSES INCURRED FOR SERVICE OR REPAIRS PERFORMED BY ANY PERSON OR PERSONS OTHER THAN THE WARRANTOR, UNLESS SPECIFICALLY AUTHORIZED BY THE WARRANTOR. SERVICE CALLS OR REPAIRS OTHER THAN THOSE COVERED BY THE CONDITIONS SET FORTH IN THIS WARRANTY WILL BE MADE AT THE EXPENSE OF THE PURCHASER-USER. ANY MODIFICATION OR USE OF THIS UNIT FOR PURPOSES NOT INTENDED VOIDS ANY AND ALL RESPONSIBILITY AND LIABILITY OF THE WARRANTOR.

### **GENERAL CONDITIONS:**

BEN CLEMENTS AND SONS, INC. AND CLEMENTS INDUSTRIES, INC. SHALL NOT BE LIABLE FOR ANY DEFAULTS, DELAY, LOSS OF USE OR MARKET CAUSED BY ANY CONTINGENCY BEYOND WARRANTOR'S CONTROL INCLUDING; WAR, GOVERNMENTAL RESTRICTIONS OR RESTRAINTS, STRIKES, FIRES, VANDALISM, FLOOD, OR SHORT OR REDUCED SUPPLY OR RAW MATERIALS, ACTS OF GOD, NOR TO SPECIAL CHARGES FOR STATE SALES OR OTHER TAXES.

THIS WARRANTY IS IN LIEU OF ALL OTHER WARRANTIES, EXPRESS OR IMPLIED, AND RELEASES THE WARRANTOR FROM ALL OTHER OBLIGATIONS AND/OR LIABILITIES WHATSOEVER. IT NEITHER ASSUMES NOR AUTHORIZES ANY OTHER PERSON TO ASSUME FOR THE WARRANTOR ANY OTHER LIABILITY IN CONNECTION WITH THE UNIT HEREIN IDENTIFIED. IT APPLIES ONLY WITHIN THE BOUNDARIES OF THE UNITED STATES OF AMERICA, ITS TERRITORIES AND POSSESSIONS, AND IT IS NOT ASSIGNABLE. ORIGINAL PURCHASER-USER SHALL MEAN ONLY SUCH PERSON, PERSONS, ASSOCIATIONS, OR CORPORATIONS FOR WHOM THE UNIT IDENTIFIED HEREIN IS ORIGINALLY PURCHASED OR INSTALLED.

THIS WARRANTY DOES NOT APPLY TO DAMAGE TO SAID UNIT OCCURRED IN TRANSIT, NOR DAMAGE CAUSED BY ALTERATIONS BY UNAUTHORIZED PERSONS, FIRE, ACCIDENTS, ACTS OF GOD, MISUSE OR ABUSE, USE OF IMPROPER TWIST TIE MATERIALS OR BY ANY OTHER CAUSES WHATSOEVER OTHER THAN DEFECTS IN FACTORY WORKMANSHIP OR MATERIAL, NOR DAMAGE OR LOSS OF ANY PRODUCTS, REFRIGERANT, PROPERTY, NOR LOSS OF INCOME OR PROFITS DUE TO MALFUNCTIONING OF SAID UNIT, NOR TO TRANSPORTATION OR SPECIAL CHARGES FOR STATE SALES OR OTHER TAXES.

**THIS WARRANTY IS NOT TRANSFERRABLE.**

