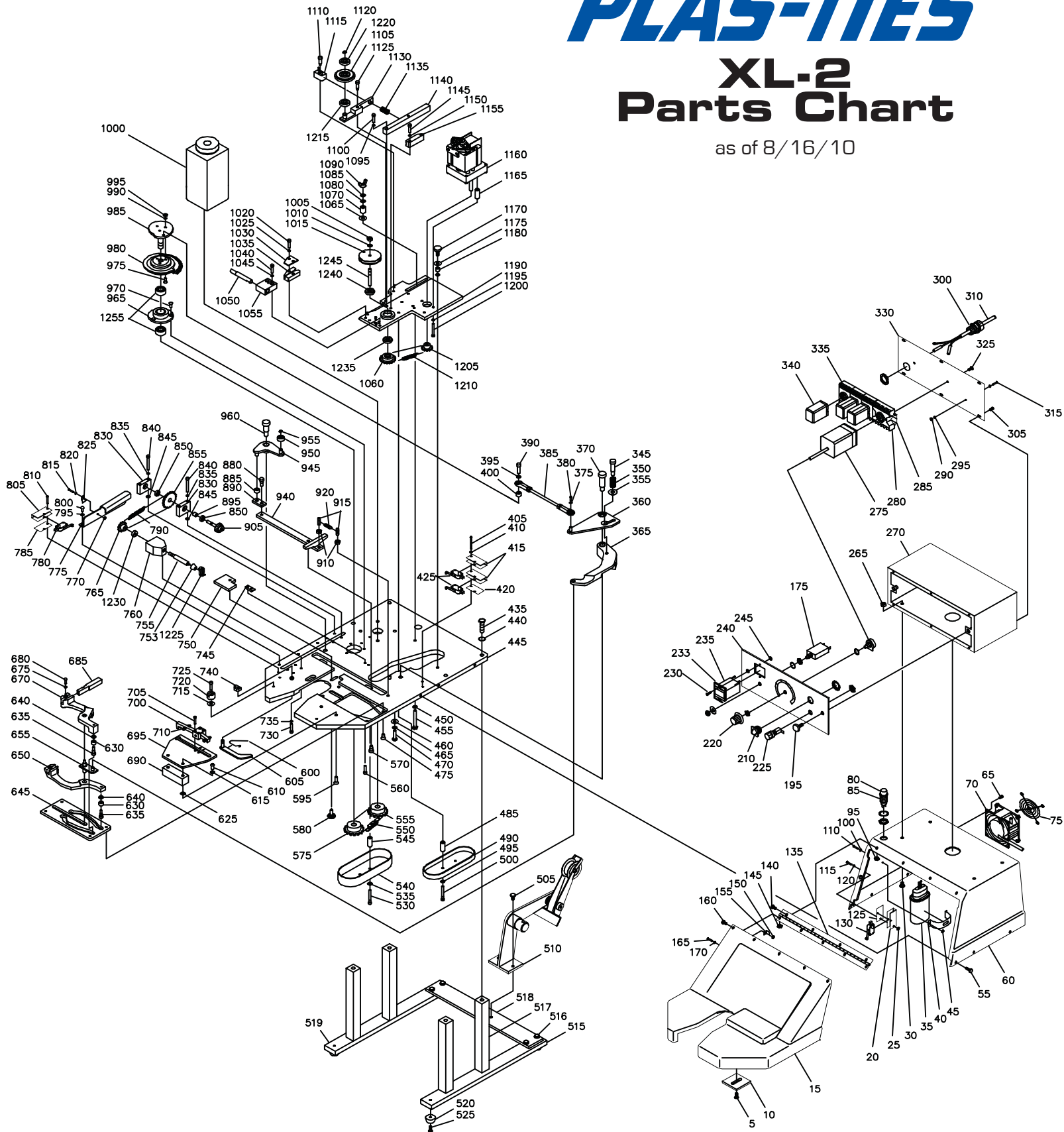


# PLAS-TIES

## XL-2 Parts Chart

as of 8/16/10



<b>XL-2 PARTS LIST FOR POSTER</b>			
as of 8/16/2010			
<b>ITEM #</b>	<b>PART #</b>	<b>DESCRIPTION</b>	<b>QTY</b>
5	56715	Screw - Button Head Cap 1/4-20 x .500	1
10	505B184	Stop - Upper	1
15	505R182	Hinged Cover	1
20	M001050	Insulator - Switch	1
25	56501	Nut - Hex 4-40	2
30	56704	Screw - Phillips Head 1/4-20 x .500	4
	P001450	Lockwasher - Internal Tooth No. .250	4
35	506358	Capacitor (7.5 mfd)	1
37	56913	Rubber Cover for Capacitor	1
40	16932	Clamp - Metal Capacitor	1
45	56501	Nut - Hex 4-40	2
55	56755	Screw - Pan Head Phillips 10-24 x .500	9
60	M022050	Fixed Cover - Rear	1
65	P001220	Screw - Pan Head Phillips 8-32 x .375	4
70	56823	Axial Fan	1
75	56824	Fan Guard	1
80	56903	Light Bulb	1
85	56902	Light Holder Assembly	1
95	56500	10-32 Kepnet Hex Nut	1
100	P001460	#4 Internal Tooth Lockwasher	2
110	P004364	4-40 x 7/8 Phillips Pan Head Screw	2
115	P004364	4-40 x 7/8 Phillips Pan Head Screw	2
120	P001460	#4 Internal Tooth Lockwasher	2
125	M001200	Switch Spacer	1
130	P001570	Micro Switch	1
135	505B183	Hinge	1
140	506336	10-32 x 3/8 Pan Head Slotted Screw	4
145	56500	10-32 Kepnet Hex Nut	4
150	P001070	Nut - Hex 8-32	1
155	M030000	L Bracket	1
160	506336	10-32 x 3/8 Pan Head Slotted Screw	5
165	P001270	Screw - Pan Head Phillips 8-32 x .500	1
170	P001470	#8 Internal Tooth Lockwasher	1
175	P001580	Circuit Breaker, 115v, 2 amp	1
195	14432	Black Thumb Screw	2
	56703	1/4 20 x 1 1/2 Socket Head Cap Screw	2
210	56925	Rocker Switch	1
220	56905	Control Knob	1
225	56908	Fuse Holder	1
230	18034	6/32 x 1/2 Flat Head Screw	2
233	M001040	Counter Seal	1
235	P001760	Counter	1
240	505C225	Front Cover	1
245	16961	6-32 Hex Nut	2
265	P001080	1/4-20 Hex Nut	4
270	505D142	Electrical Chassis	1
275	505B132	Time Delay Relay	1

ITEM #	PART #	DESCRIPTION	QTY
280	569340	Timer Socket	1
285	506347	Din Rail	1
290	56501	4-40 Hex Nut	1
295	P001460	#4 Lock Washer	1
300	56403	Strain Relief	1
305	56930	8-32 x 3/8 Phillips Sheet Metal Screw	6
310	A301010	Power Cord Assembly	1
315	56960	4-40 x 5/8 Screw	1
325	506336	10-32 x 3/8 Slotted Pan Head Screw	2
330	505C190	Back Cover	1
335	56933	Socket Relay	3
340	56922	Power Relay	3
345	56825	3/8-16 x 2 Shoulder Bolt	1
350	56929	Spring	1
355	505B210	Spring Detent	1
360	M021570	Arm Scissor Actuator	1
365	A202150	Arm Actuator Assembly	1
370	505B114	1/2-13 x 1 1/4 Shoulder Bolt 1/2 Dia.	1
375	56801	# 4 Flat Washer	3
380	56785	5-40 x 3/8 Socket Head Cap screw	1
385	A202120	Rod Scissor Actuator Arm Assembly	1
390	P004150	1/4-28 x 1 Socket Head Cap Screw	1
395	56805	1/4 Split Lock Washer	1
400	505B129	Space - Cutter Cam	1
405	P004858	4-40 x 1 1/4 Phillips Head Screw	2
410	P001460	# 4 Lock Washer	2
415	M001050	Switch Insulator	2
420	M001200	Switch Spacer	1
425	P001570	Micro Switch	2
435	P004706	3/8-16 x 1 Socket Head Cap Screw	4
440	P004715	3/8 Split Washer	4
445	505D173	Frame	1
450	56805	Lockwasher - Internal Tooth No. .250	1
455	1160	1/4-20 x 2 Hex Head Screw	1
460	56802	# 10 Flat washer	4
465	506337	# 10 Split Lock Washer	4
470	P003420	10-32 x 1 Socket Head Cap Screw	4
475	56738	Screw - Flat Head Socket Cap 10-24 x .500	4
485	M030012	Spacer	2
490	505B155	Guard Ribbon Drive	1
495	56802	# 10 Flat washer	2
500	P001431	10-24 x 1/2 Flat Hex Socket Screw	2
505	56704	1/4-20 x 1/2 Phillips Pan Head	2
510	A102022	Small Brake Assembly	1
	A102021	Large Brake Assembly	1
	A102020	Special Brake	1
515	505C166	Right Foot	1
516	56708	1/4-20 x 3/4 Socket Head Cap Screw	4
517	505B163	Leg Frame	4

ITEM #	PART #	DESCRIPTION	QTY
518	505C164	Back Mounting Plate	1
519	505C165	Left Foot	1
520	P001540	Rubber Foot	4
525	56710	10-24 x 5/8 Screw	4
530	P001431	10-24 x 1/2 Flat Hex Socket Screw	2
535	56802	# 10 Flat washer	2
540	M021402	Chain Cover	1
545	M026419	Spacer	2
550	A401650	# 35 Chain 13 1/2" Long	1
555	M021601	Sprocket	1
560	P003540	Screw - Shoulder Bolt 10-24 x .250Dia x .375 L	1
570	505B112	5/16 x 1/4 Shoulder Bolt	1
575	M021411	Sprocket	1
580	56715	1/4-20 x 1/2 Hex Button Head Screw	1
595	56724	1/4-20 x 3/4 Hex Flat Head Screw	2
600	505B177	Trigger Spring	1
605	505B013	Trigger Arm	1
610	56715	1/4-20 x 1/2 Hex Button Head Screw	2
615	P001450	1/4 Lockwasher - Internal Tooth	2
625	M022065	.005 Stainless Shim	2
630	56001	Bearing	2
635	56723	1/4-20 5/16 Shoulder Bolt	2
640	505B202	Spacer	2
645	505C105	Cam Scissor Guide	1
650	A202180	Scissor Arm Left Assembly	1
655	505B010	Drag Link	1
670	A202170	Scissor Arm Right Assembly	1
675	P001470	#8 Lock Washer- Internal Tooth	2
680	P001220	8-32 x 3/8 Phillips Head Screw	2
685	<b>CHUTES</b>		
	505B215	1 1/2 " Chute Optional	1
	505B216	2 " Chute Optional	1
	505B217	2 1/2 " Chute Optional	1
	505C218	3 " Chute Optional	1
	505C219	3 1/2 " Chute Optional	1
	505C220	4 " Chute Optional	1
690	M021040	Support Block	1
695	505C103	Scissor Arm Cover	1
700	A202110	Ribbon Lever Assembly	1
705	56712	6-32 x 3/4 Socket Head Cap Screw	4
710	56602	O'Ring	8
715	505M001	Spacer	2
720	56906	Magnet	2
725	506338	10-24 x 7/8 Socket Head Cap Screw	2
730	506337	# 10 Split Washer	4
735	56719	10-24 x 3/4 Hex Socket Head Cap Screw	4
740	505B176	Cam Actuator Bracket	1
745	505B144	Slide Return Plate	1

ITEM #	PART #	DESCRIPTION	QTY
750	505B180	Lower Stop Plate	1
753	M001880	Cone	1
755	M021365	Twister Shaft	1
760	A202090	Twister Support Assembly	1
765	505B117	Sprocket	1
770	56501	4-40 Hex Nut	2
775	505B122	Twister Chain Guard	1
780	P001570	Micro Switch	1
785	M001200	Insulation Spacer-Switch	1
790	A401640	#25 Chain 16 1/2 Long	1
795	56802	# 10 Flat Washer	3
800	P001430	Screw - Socket Head Cap 10-24 x 1/2	3
805	M001050	Insulation-Switch	1
810	P004362	4-40x1 Phillips Pan Head	2
815	56960	4-40x5/8 Screw	2
820	56801	# 4 Flat Washer	2
825	56900	Nylon Cable Clamp	2
830	505B019	Support- Twister Drive	2
835	506337	# 10 Split Lock Washer	4
840	56705	10-24 x 1 1/2 Screw	4
845	56914	.005 Shim	4
850	P001020	Bearing -	2
855	A001741	Twister Sprocket	1
880	56726	1/4-20 Shoulder Bolt 5/16 Dia.	1
885	505B129	Spacer - Cutter	1
890	505B130	Link Cutter Actuator	1
905	M001492	Pinion Shaft Assembly	1
910	P001080	1/4-20 Hex Nut	1
915	56711	1/4-20 x 1 Cup Point Set Screw	1
920	M001484	Spring Tension	1
940	505B133	Connector - Cutter Link	1
945	A202130	Bell Crank Assembly	1
950	56002	Bearing	1
955	P001180	Snap Ring	1
960	56100	3/8-16 x 3/4 Shoulder Bolt 1/2 Dia.	1
965	A202040	Support - Cutter Cam Assembly	1
970	56729	10-24 x 1/2 Flat Hex Socket Screw	3
975	56729	10-24 x 1/2 Flat Hex Socket Screw	3
980	505C127	Gear Segment	1
985	505B012M	Cam Actuator	1
990	506337	# 10 Split Washer	3
995	56506	10-24 Hex Nut	3
1000	56959	Bodine Motor	1
1005	56503	1/4-28 Hex Nut	1
1010	56805	1/4 Split Washer	1
1015	A302050	Ribbon Feed Wheel Assembly	1
1020	56719	10-24 x 3/4 Hex Socket Head Screw	2
1025	506337	# 10 Split Washer	2
1030	505B168	Cover	1

ITEM #	PART #	DESCRIPTION	QTY
1035	505B169	Knife Anvil	1
1040	56719	10-24 x 3/4 Hex Socket Head Screw	2
1045	506337	# 10 Split Washer	2
1050	505B153	Ribbon Cutoff Knife	1
1055	A302030	Cutter Support Block Assembly	1
1060	505B158	Sprocket	1
1065	56803	1/4 Dia. Washer	1
1070	506352	Nylon Spacer	1
1080	56810	1/4 Flat Washer	1
1090	1113	Wingnut	1
1095	506337	# 10 Split Lock Washer	2
1100	506338	10-24 x 7/8 Socket Head Cap Screw	2
1105	A302060	Pressure Wheel Assembly	1
1110	505B113	10-24 x 1/4 Dia. X 5/8 lg. Shoulder Bolt	1
1115	505B170	Cam Pressure Block	1
1120	56606	Retaining Ring	1
1125	505B113	10-24 x 1/4 Dia. X 5/8 lg. Shoulder Bolt	1
1130	505B150	Support Idler	1
1135	56940	Spring Tension	1
1140	505B152	Ribbon Guide Flat Long	1
1145	506338	10-24 x 7/8 Socket Head Cap Screw	2
1150	506337	# 10 Split Lock Washer	2
1155	505B151	Ribbon Guide Flat Short	1
1160	505C027-1	Motor 110 Volt	1
1165	M030010	Stain Off	4
1170	14432	Black Thumb Screw	1
1175	56803	1/4 Dia. Washer	1
1180	505B119	Spacer Ribbon	1
1190	505D157	Ribbon Drive Slide Plate	1
1195	P001470	# 8 Internal Tooth Lock Washer	4
1200	P001270	8-32 x1/2 Phillips Head Screw	4
1205	505B159	Sprocket Ribbon Drive	1
1210	A401645	# 25 Chain 12 1/2" Long	1
1220	56006	Bearing	1
1225	505B212-4	Twister	1
1230	P001020	Bearing	1
1235	56005	Bearing	1
1250	P001030	Bearing	2

# ASSEMBLIES

<b>ASSEMBLIES</b>			
<b>A202040</b>	<b>Support Cam Cutter Assembly</b>		
505B126	Support Cam Cutter		1
P001030	Bearing		2
<b>A202120</b>	<b>Rod Scissor Actuator Assembly</b>		
505B230	Rod Scissor Actuator		1
56000	Rod End Bearing ( Right )		1
56009	Rod End Bearing ( Left )		1
56805	Split Washer 1/4		2
56503	Hex Nut 1/4-28 RH Thread		1
P001095	Hex Nut 1/4-28 LH Thread		1
<b>505B019</b>	<b>Support Twister Drive Assembly</b>		
505B121	Support Twister Drive		1
P001020	Bearing		1
<b>A001741</b>	<b>Sprocket, Twister Drive</b>		
M001741	Modified Sprocket		1
M001742	Sprocket Clamp		1
P002400	10-32 x 5/8 Socket Head Cap Screw		2
<b>A202090</b>	<b>Twister Support Assembly</b>		
505B120	Support Block		1
P001020	Bearing		1
56205	Bushing		1
<b>A202180</b>	<b>Scissor Arm Assembly ( Left )</b>		
505C101	Scissor Arm ( Left )		1
56202	Bushing		1
505B202	Washer Spacer		1
56001	Bearing		1
56723	Shoulder Bolt		1
<b>A202170</b>	<b>Scissor Arm Assembly ( Right )</b>		
505C102	Scissor Arm ( Right )		1
56202	Bushing		1
505B202	Washer Spacer		1
56001	Bearing		1
56723	Shoulder Bolt		1
<b>A202110</b>	<b>Ribbon Forming Lever Arm Assembly</b>		
505B221	Lever Forming Lever		1
505B107	Support		1
56912	Roll Pin		2
56939	Dowel Pin		1
56602	O'ring		8

<b>A202150 Arm Actuator Assembly</b>			
	505C209	Actuator Scissor Arm	1
	56200	Bushing	1
	56201	Bushing	1
<b>A202060 Scissor Arm Actuator Assembly</b>			
	M021570	Scissor Arm Assembly	1
	M021540	Pin	1
<b>A302070 Plate, Ribbon Feed Assembly</b>			
	505D157	Plate, Mounting Ribbon Guide	1
	505B201	Receiver Ribbon Drive Wheel	1
	56005	Bearing	2
<b>A302060 Ribbon Idler Wheel Assembly</b>			
	505B198	Wheel Pressure Ribbon Drive	1
	56006	Bearing	1
<b>A302020 Lever Assembly Ribbon Wheel</b>			
	505B149	Shaft, Ribbon Idler	1
	505B150	Support Idler	1
<b>A302080 Idler Lock Out Cam Assembly</b>			
	505B170	Cam, Pressure Wheel	1
	56910	1/8 x 1 Roll Pin	2
<b>A301010 Power Cord Assembly</b>			
	P001610	Power Cord, Black	1
	P001410	Connector, Quick Disconnect	1
	P001420	Terminal Ring Tongue	1
	P001670	Terminal , Male	1
	P001690	Connector Receptacle	1
	M001497	Strain Relief Connector	1
<b>A401675 Electrical Harness Assembly</b>			
	506340	Timer Socket	1
	56933	Socket Relay	3
	56931	Metal Jumpers	4
	505B132	Time Delay Relay	1
	56952	Fork Terminal, Pink	22
	P003980	Fork Terminal, Blue	4
	56922	Relay, Power	3
	56822	Relay Clips	3
	P001890	Connector, Plug	3
	P001690	Connector, Receptacle Male	3
	P003920	Receptacle, With Ears	1
	506347	Din Rail	1