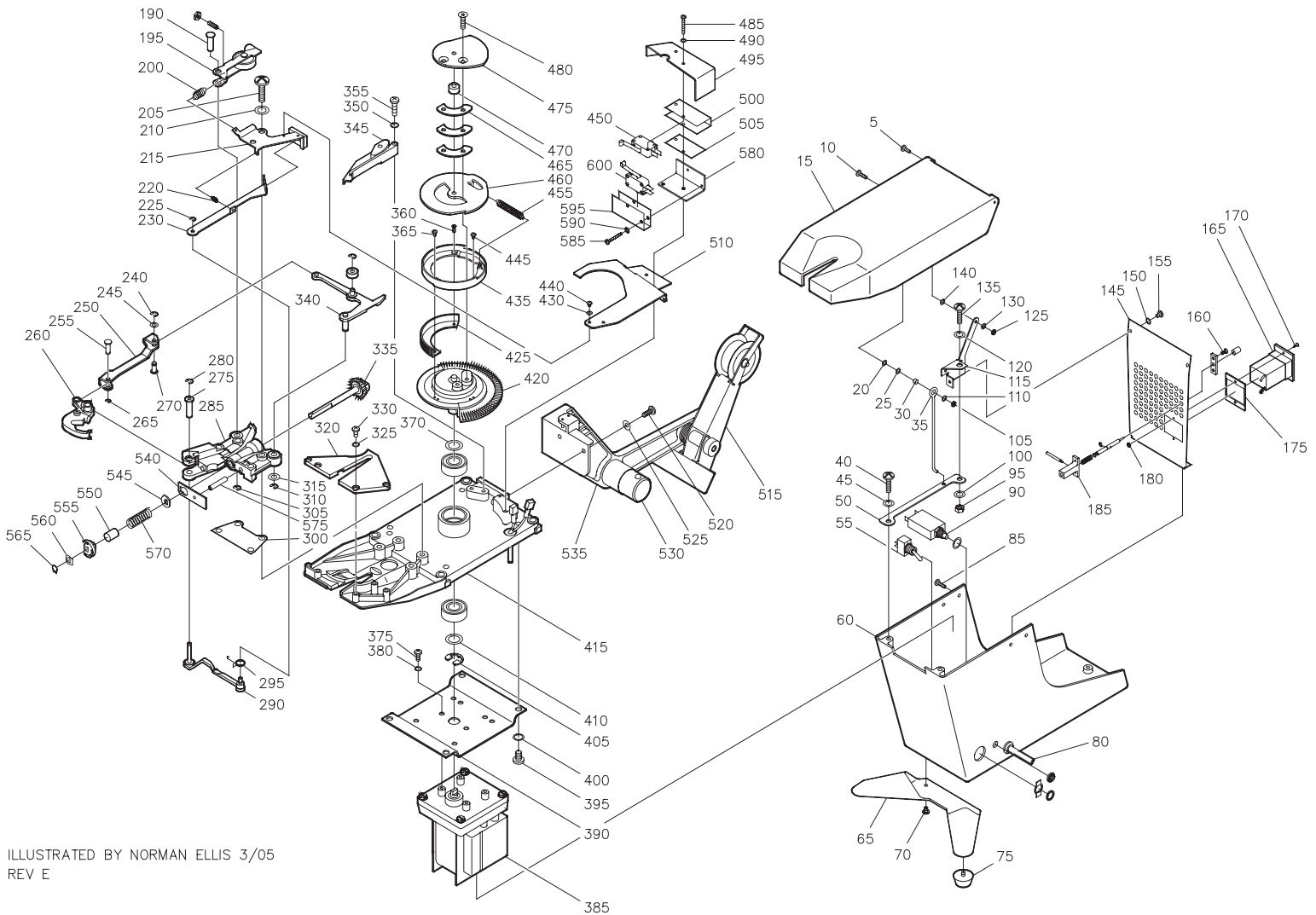


PLAS-TIES

Tie-Matic Explosion Chart



ILLUSTRATED BY NORMAN ELLIS 3/05
REV E

PLAS-TIES

(800) 854-0137

(714) 542-4487

FAX: (714) 972-2978

Internet: www.plasties.com

E-mail: info@plasties.com

603 PARTS LIST FOR POSTER

Revision E

Item No.	New Part No.	Old Part No	Description	Qty
5	P001270	16408	Screw - Pan Head Phillips 8-32 x .500	2
10	P001200	16400	Screw - Pan Head Phillips 8-32 x .625	1
15	A301140		Cover / Label - Assembly (603)	1
	A301141		Cover / Label - Assembly (604)	1
	A301142		Cover / Label - Assembly (608)	1
20	P001430	16600	Washer - Flat No. 8	1
25	P001430	16600	Washer - Flat No. 8	1
30	P001530	16900	Spacer - Cover	1
35	M001060	117280	Stop - Cover	1
40	P001330	16415	Screw - Pan Head Phillips .250-20 x 1.0	2
45	P001450	16602	Lockwasher - Internal Tooth .250	2
50	S001030	117281	Guide - Cover	1
55	P001560	16906	Switch - On / Off	1
	P001650	16985	On / Off Plate	1
60	M001240	221142-1	Case	1
65	A101040		Foot Stabilizer - Assembly	1
70	P001290	16411	Screw - Pan Head Phillips 10-32 x .500	2
75	P001540	16901	Foot - Rubber	3
	P001210	16401	Screw -Type F, Pan Head Phillips 10-32 x .500	3
80	A301010		Power Cord - Assembly	1
	P001320	16414	Screw - Pan Head 10-32 x .250	1
	P001480	16609	Lockwasher - Internal Tooth No. 10	1
85	P001280	16409	Screw - Pan Head Phillips 10-32 x .313	4
	P001480	16609	Lockwasher - Internal Tooth No. 10	4
90	P001580	16908	Circuit Breaker - 115v 2 amp	1
	P001880		Lockwasher - Internal Tooth .375	1
	A301160		5" Wire - Assembly	1
95	P001080	16103	Nut - Hex .250-20	2
100	P001450	16602	Lockwasher - Internal Tooth .250	2
105	P001060	16101	Nut - Lock 8-32	1
110	P001430	16600	Washer - Flat No. 8	1
115	S001180	221143-1/-2	Hinge - Support Bracket (Left & Right)	1
120	P001450	16602	Lockwasher - Internal Tooth .250	2
125	M001130	117492	Nut - Hinge Cover	2
130	P001470	16608	Lockwasher - Internal Tooth No. 8	2
135	P001330	16415	Screw - Pan Head Phillips .250 x 1.0	2
140	P001920	16619	Washer - Nylon No. 8	2
145	S001220	221303-3	Divider - Case	1
150	P001480	16609	Lockwasher - Internal Tooth No. 10	4
155	P001320	16414	Screw - Pan Head 10-32 x .250	4
160	P001940		Screw - Flat Head Phillips 6-32 x .188	2
165	A301020		Counter - Assembly	1
170	P001630	16960	Screw - Flat Head 4-40 x .375	2
175	M001040	16618	Seal - Counter	1
180	P001640	16961	Nut - Hex 4-40	2
185	A301170		Release - Acuator Switch - Assembly	1
190	M001270	220817	Pin - Idler Lever	1
195	A301060		Lever - Tape Feed Idler - Assembly	1
200	M001460	117494-1	Spring - Tension Material Feed	1
205	P001340	16416	Screw - Pan Head Phillips .250-20 x 1.250	4
210	P001450	16602	Lockwasher - Internal Tooth .250	4

603 PARTS LIST FOR POSTER

Revision E

215	A301080		Idler Lever Plate - Assembly	1
220	P001520	16704	Spring Link - Switch Actuating	1
225	P001140	16300	E- Ring	1
230	S001100	117806	Link - Switch Actuating	1
235			Delete	
240	P001190	16305	E- Ring	1
245	P001500	16616	Curved Spring Washer No. 10	1
250	S001230	221194-1	Link - Needle Operating	1
255	M001260	220815	Pin - Idler Wheel	1
260	A301050	220807-1	Needle - Assembly (603)	1
	A301051	117827-1	Needle - Assembly (604)	1
	A301052	320843-1	Needle - Assembly (608)	1
265	P001170	16303	Crescent External Ring	1
270	M001080	117491	Pin - Clevis	1
275	M001220	220866	Sleeve	1
280	P001140	16300	E- Ring	1
	A201030		Master Pinion Support - Assembly (603)	1
	A201031		Master Pinion Support - Assembly (604)	1
	A201032		Master Pinion Support - Assembly (608)	1
	A301120		. Pinion Support - Assembly	1
285	A401030	220814	. Pinion - Assembly	1
290	A301100	220835-2	Trigger Lever - Assembly	1
295	M001230	221145	Spring - Trigger Return	1
300	S001070	221310-1	Shim .005	A/R
	S001080	221310-2	Shim .010	A/R
305	P001160	16302	Crescent External Ring	1
310	P001160	16302	Crescent External Ring	1
315	P001730	56955	Shim - Pinion Support	1
320	M001340	220836	Cover - Trigger (603)	1
	M001600	117829	Cover - Trigger (604)	1
	M001610	320842	Cover - Trigger (608)	1
325	P001470	16608	Lockwasher - Internal Tooth No. 8	4
330	P001220	16402	Screw - Pan Head Phillips 8-32 x .375	4
335	A301090	220859-1	Pinion / Shaft - Assembly	1
340	A301110	117913-1	Needle Actuating - Assembly	1
345	M001020	220943	Guide - Tape Feed	1
	S001050	117409	Shim - Material Guide	A/R
350	P001480	16609	Lockwasher - Internal Tooth No. 10	2
355	P001300	16412	Screw - Pan Head Phillips 10-32 x .750	2
360	P001380	16420	Screw - Pan Head Phillips, 4-40 x .313	1
365	P001250	16405	Screw - Pan Head Phillips 4-40 x .250	1
370	P001720	56954	Shim - Gear Segment	A/R
375	P001980	16402	Screw - Pan Head Phillips 8-32 x .313	4
380	P001470	16608	Lockwasher - Internal Tooth No. 8	4
385	P001740	117914	Motor - Gear	1
390	S001170	220871	Plate - Motor Mount	1
395	P001310	16413	Screw - Flat Head Phillips .250-20 x .375	4
400	P001450	16602	Lockwasher - Internal Tooth .250	4
405	P001150	16301	E- Ring Bowed	1
410	P001720	56954	Shim - Frame	A/R

603 PARTS LIST FOR POSTER Revision E

415	A401100		Gear Support Frame - Assembly (603)	1
	A401101		Gear Support Frame - Assembly (604)	1
	A401102		Gear Support Frame - Assembly (608)	1
	M001350	220845	. Frame - Gear Support (603)	1
	M001580	117832	. Frame - Gear Support (604)	1
	M001590	320845	. Frame - Gear Support (608)	1
	P001030	16003	. Bearing - Radial Ball	2
	P001550	16902	. Groument	1
	A401120		Master Gear Segment - Assembly	1
420	A501030	117596	Gear Segment - Assembly	1
425	S001140	117802	Drum - Material Feed (603)	1
	S001240	117826	Drum - Material Feed (604)	1
	S001250	320844	Drum - Material Feed (608)	1
430	P001460	16607	Lockwasher - Internal Tooth No. 4	2
435	S001150	117801	Guard - Cam Return Spring	1
440	P001250	16405	Screw - Pan Head Phillips 4-40 x .250	2
445	P001390		Screw - Flat Head Phillips with Undercut Head 4-40 x .313	1
450	A401020		Micro Switch - Assembly	1
455	P001600	16911	Spring - Cam Return	1
460	S001015	220936	Switch Cam - Assembly	1
465	S001210	117585	Cam - Laminate	3
470	M001140	117800	Bearing - Thrust	1
475	S001200	117499	Cam - Needle	1
480	P001370	16419	Screw - Button Head Cap 10-32 x .625	2
485	P001260	16407	Screw - Pan Head Phillips 4-40 x .875	2
490	P001460	16607	Lockwasher - Internal Tooth No. 4	2
495	S001120	117810	Cover - Switch	1
500	M001050	117278	Insulator - Switch	1
505	M001200	220847-2	Spacer - Switch	1
510	S001110	117809	Cover - Safety	1
515	A301150		Brake Arm Spool Assembly	1
520	P001290	16411	Screw - Pan Head Phillips 10-32 x .500	2
525	P001480	16609	Lockwasher - Internal Tooth No. 10	2
530	A301130	220940	Spindle Assembly	1
535	A101030	117489	Brake - Assembly	1
	M001100	117476	. Beam - Brake	1
	M001540	117479	. Spring - No Back	1
	M001550	117480	. Spring - Brake Arm	1
	P001130	16203	. Roll Spring Pin .125 x .563	2
	P001350	16417	. Shoulder - Bolt .375-16	1
	P001360	16418	. Hex Bolt .250-20 x .500	1
	P001490	16615	. Washer - Nylon .250-20	1
	S001040	117295	. No-Back	1
540	M001380	220821	Plate - Stationary Cutter	1
545	M001370	220820	Cutter - Movable (603 & 604)	1
	M001620	320847	Cutter - Movable (608)	1
550	M001190	220833	Cover - Spring	1
555	M001330	117498	Twister - Ribbon	1
560	S001060	117823	Deflector - Material	1
565	P001180	16304	Basic Internal Ring	1
570	M001150	220832	Spring - Cutter	1
575	M001180	220838	Pin - Locating Cutter	1
580	M021960		Bracket - Micro Switch	1
585	P001260	16407	Screw - Pan Head Phillips 4-40 x .875	2
590	P001460	16607	Lockwasher - Internal Tooth No. 4	2
595	M001050	117278	Insulator - Switch	1
600	A401020		Micro Switch - Assembly	1